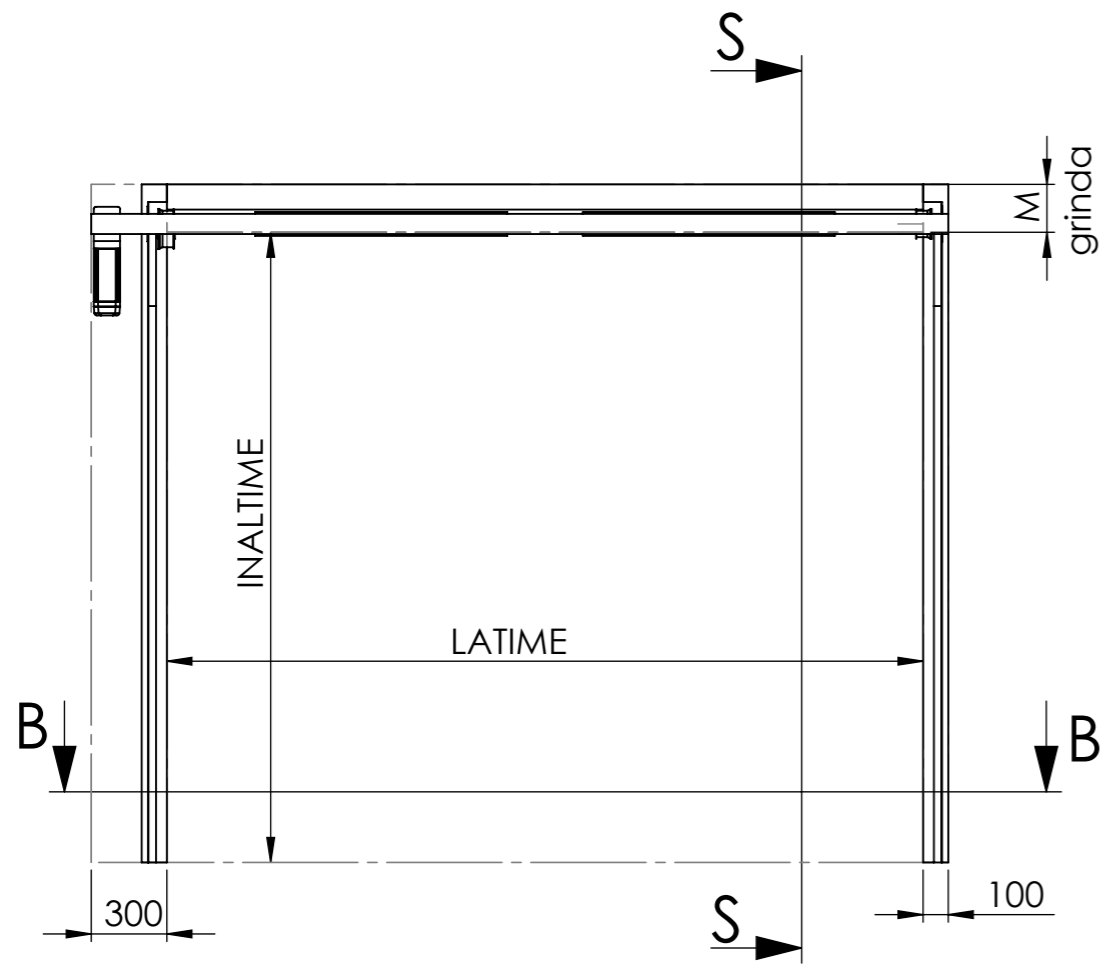
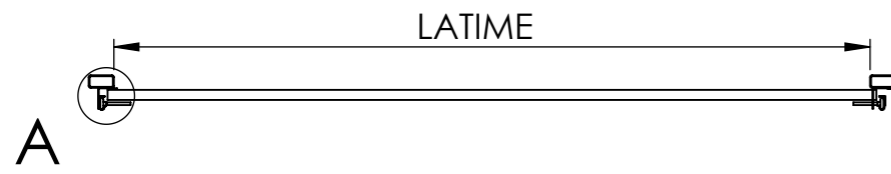


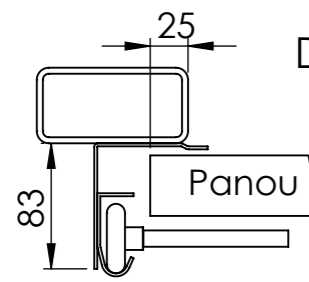
VEDERE FRONTALA - INTERIOR



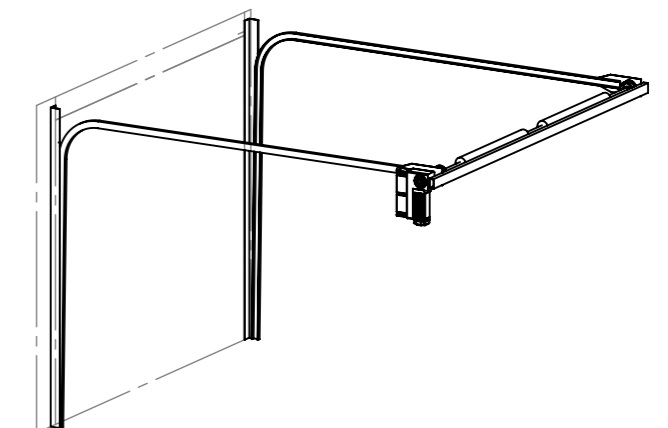
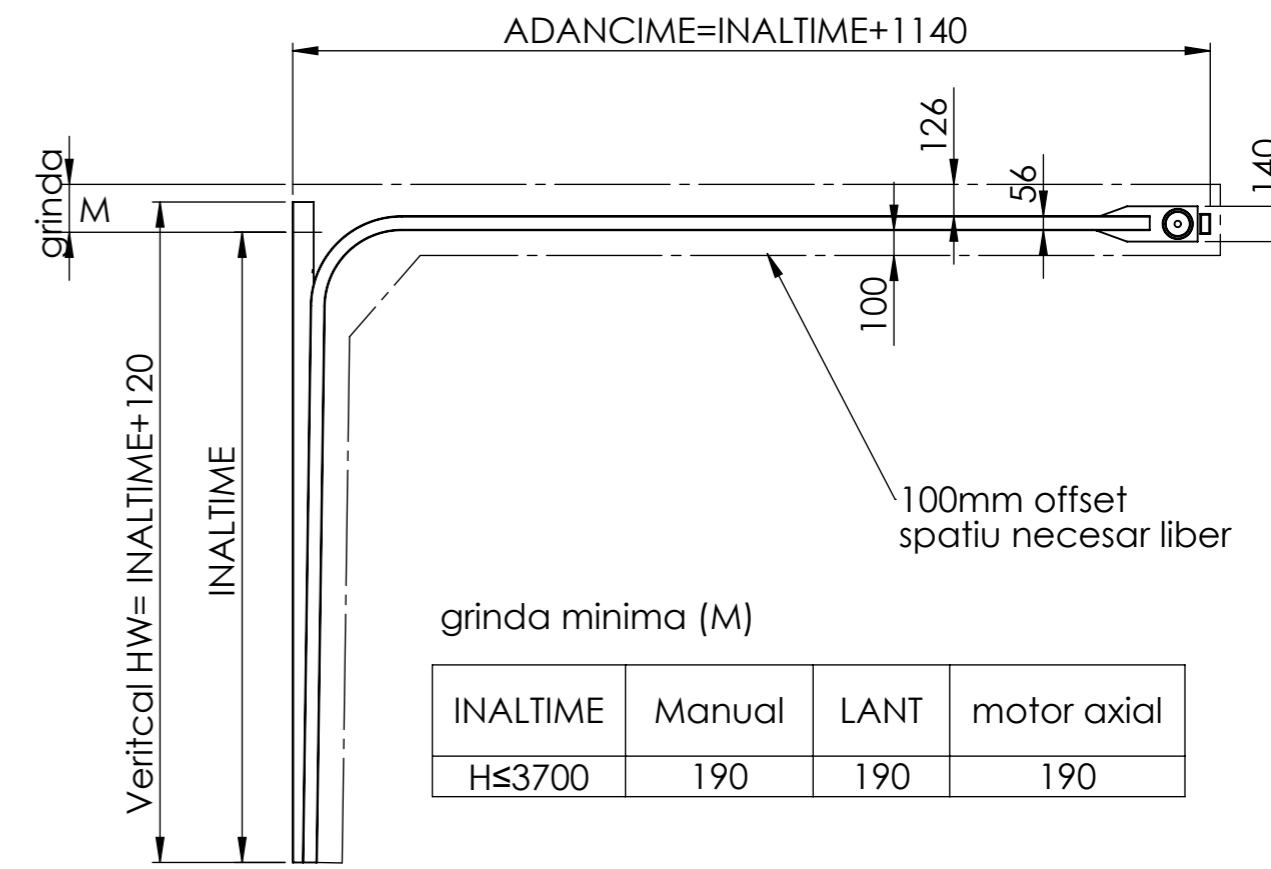
SECTIUNE B - B



DETALIU A



SECTIUNE LATERALA S - S



modelul prezentat este pentru o usa cu 3000 LATIME x 2500 INALTIME

		FINISH:	DEBURR AND BREAK SHARP EDGES	DO NOT SCALE DRAWING	REVISION
NAME	SIGNATURE	DATE		TITLE:	
DRAWN				SLR	
CHK'D				Standard Lift Rear INDUSTRIAL	
APPV'D				DWG NO.	A3
MFG				System SLR	
Q.A				SCALE:1:100	SHEET 7 OF 11
WEIGHT:					